



LEFROY BROOKS

1 8 2 8 T R O U T M A N S T R E E T  
R I D G E W O O D N E W Y O R K N Y 1 1 3 8 5 U S A  
T: +1(718) 302 5292 F: +1(718) 302 4177

K1-4200

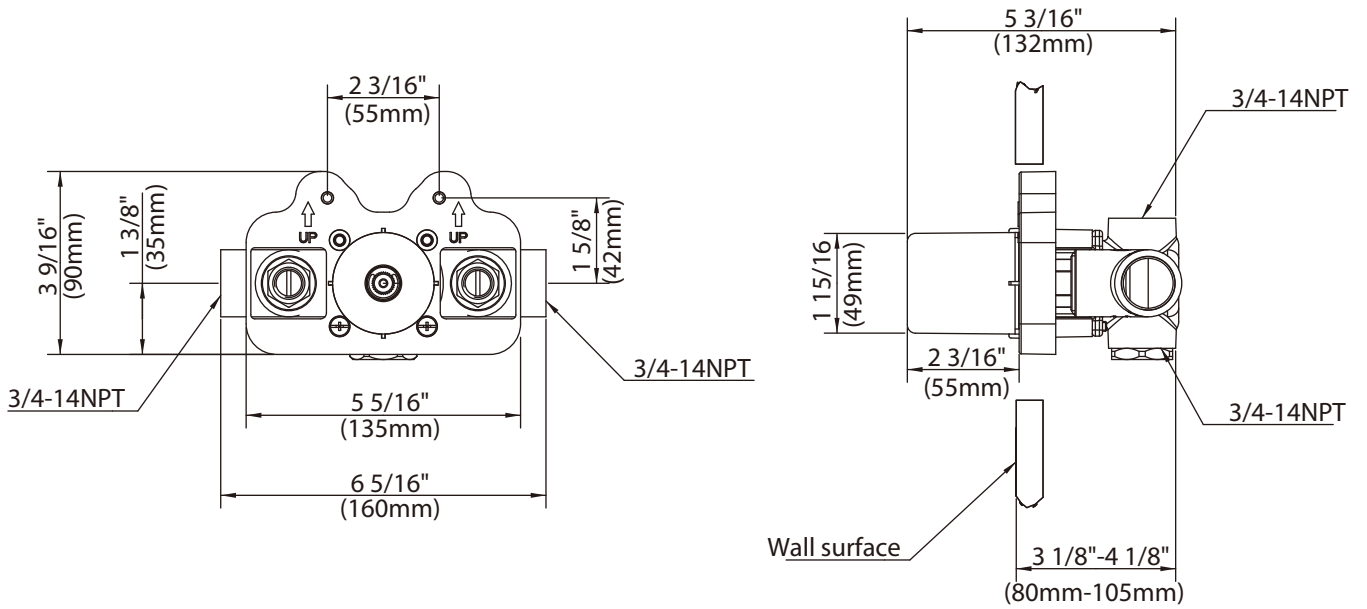
SINGLE HANDLE THERMOSTATIC ROUGH,  
TO SUIT K1-4400 & K1-4401

DIMENSIONAL DATA SHEET

DATE: 14 March 2013

No: A667359

COPYRIGHT © LBIP LTD 2012. ALL RIGHTS RESERVED.

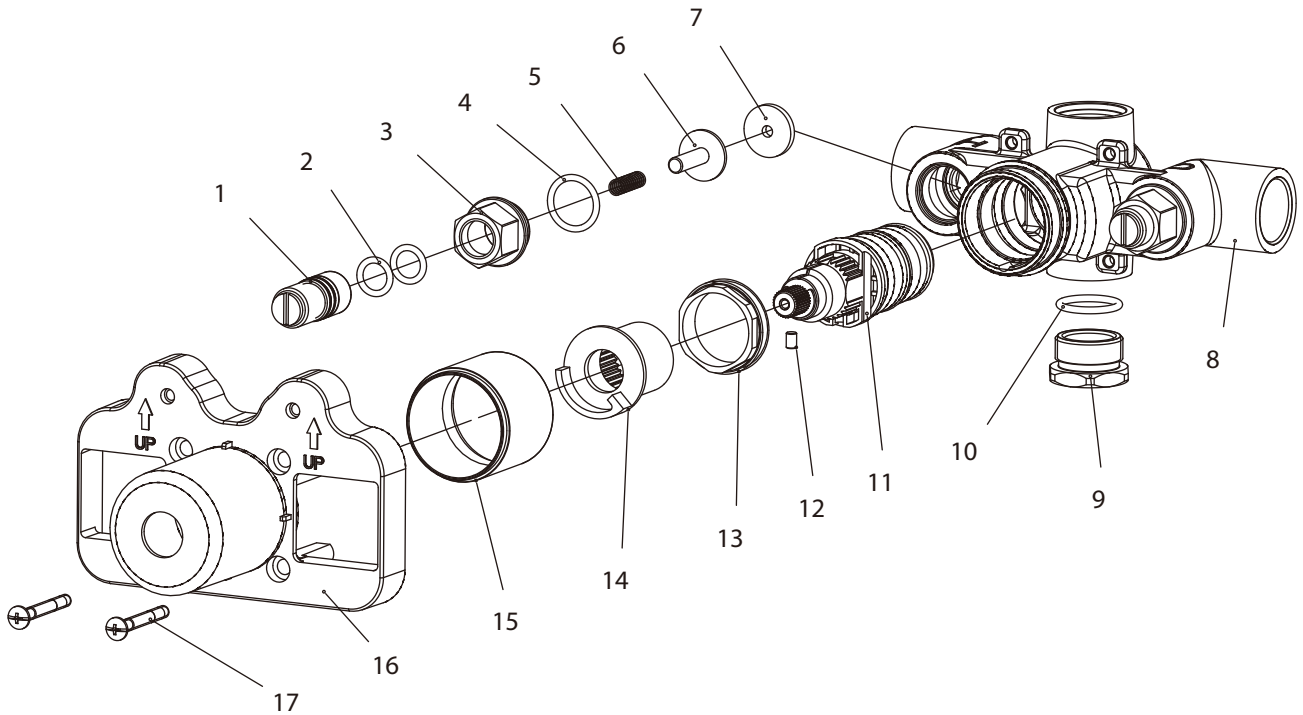


DIMENSIONS IN INCHES & MILLIMETRES

WHILST EVERY EFFORT IS MADE TO ENSURE THE ACCURACY OF THESE DATA SHEETS THEY ARE SUBJECT TO CHANGE WITHOUT NOTICE AS PART OF THE COMPANY'S PRODUCT DEVELOPMENT PROCESS

# K1-4200

SINGLE HANDLE THERMOSTATIC ROUGH, TO SUIT K1-4400 & K1-4401

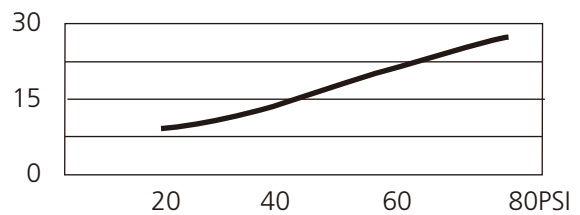


1	Spindle (017119)	7	Oil-seal (010113)	13	Adjusting ring (104061)
2	O-ring (048038)	8	Body (076706)	14	Stopper (049108)
3	Nut (009111)	9	Plug (028604)	15	Sleeve (041754)
4	O-ring (063060)	10	O-ring (048017)	16	Plaster guard (127214)
5	Spring (005060)	11	Thermostatic cartridge (507132)	17	Screw (008230)
6	Cartridge (024092)	12	Pin (003146)		

## Standards

IAPMO/cUPC Listed  
Meets A112.18.1  
Meets ASSE 1016

## Flow Rate



Please note :

Final achievable flow rate is dependent on the outlets fitted, see relevant outlets (spouts, roses, sprays) for fully assembled product flow rate.